



**KERALA CO-OPERATIVE MILK MARKETING FEDERATION LTD.**  
**CENTRAL PRODUCTS DAIRY, PUNNAPRA P.O, ALAPPUZHA - 688 004.**  
Tel: 0477-2255900, 2255999, 2255921, E-mail: [cpd@milma.com](mailto:cpd@milma.com).  
GST:32AAAAK5375M4ZD

No.CPD/Engg/531/2021-22

03.04.2021

Sir,

Please furnish your rate for the supply of following items with detailed specification and terms & conditions on or before 15.04.2021.

Sl.no	Item Description	Qty
1	Pouch crate trolley. With bearing, made of 1" N.B MS pipe with 8"x 2" UHMW-HDPE wheel, Suitable for 10 ltr crates of 10 nos. Dimension as per fig.a	1 No
2	Pouch crate trolley. With bearing, made of 1" N.B SS pipe with 8"x 2" UHMW-HDPE wheel, Suitable for 10 ltr crates of 10 nos. Wheel shaft should be stainless steel Dimension as per fig.a	1 No
3	Pouch crate trolley Nylon wheel 8"X2" without bearing, GI pipe, Suitable for 10 ltr crates of 10 nos, Wheel shaft should be MS Dimension as per fig.a	1 No

Yours sincerely

*V. J. K. M.*  
MANAGER.



1400

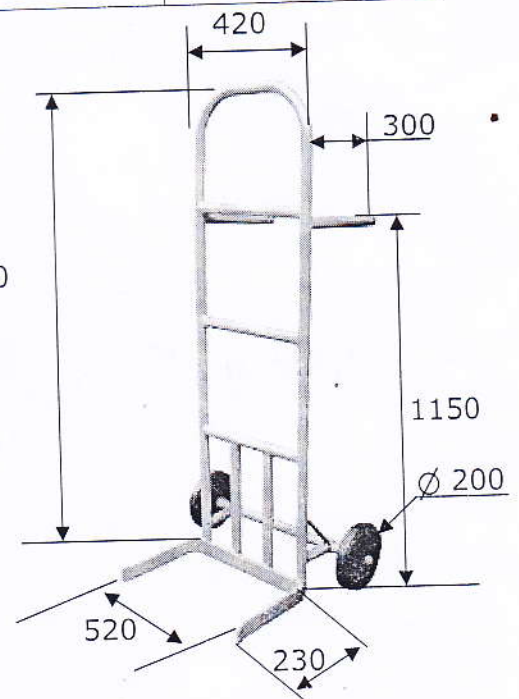


Fig. a